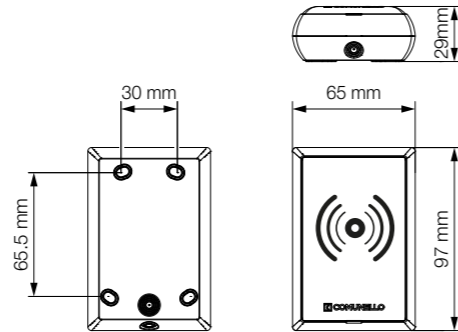









TACT CARD

Digital transponder selector in die-cast aluminum, up to 250 memorable cards / TOKENS



- Protection:** Electronics protected by a preassembled gasket on a dedicated housing.
- Simplicity and ease of installation:** Cable passage arranged both at the bottom and at the rear of the selector. Large space dedicated to wiring.
- Design:** New attractive design with no visible screws
- Adjustment:** The slotted holes allow adjustment of the position even after installation
- Durability:** Structure completely in die-cast aluminum



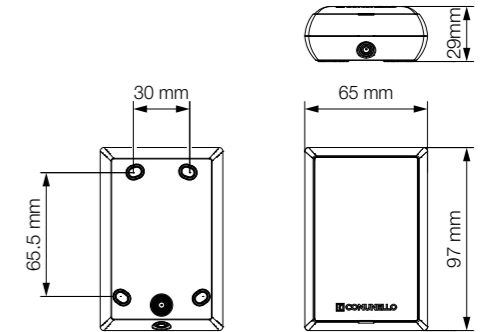
						
TACT CARD	GTACTCARN0B00A	Digital transponder selector in aluminum (working via TACT DEC)	24 VDC/VAC	IP 54	1	0,27 Kg

TACT DEC

2 channels decoder for TACT / TACT-CARD



- Protection:** Electronics protected by a preassembled gasket on a dedicated housing.
- Simplicity and ease of installation:** Cable passage arranged both at the bottom and at the rear of the keyboard. Large space dedicated to wiring.
- Design:** New attractive design with no visible screws
- Adjustment:** The slotted holes allow adjustment of the position even after installation
- Durability:** Structure completely in die-cast aluminum



						
TACT DEC	GTACTDECN0B00A	Decoder for TACT / TACT-CARD	24 VDC/VAC	IP 54	1	0,27 Kg

A pre-assembled gasket protects the electronics from any entry of insects or water.

Structure completely in die-cast aluminum

The 4 slotted holes allow adjustment of the position even after installation



Cable passage arranged both at the bottom and at the rear of the selector.

Large space dedicated to wiring

A pre-assembled gasket protects the electronics from any entry of insects or water.

Structure completely in die-cast aluminum

The 4 slotted holes allow adjustment of the position even after installation



Cable passage arranged both at the bottom and at the rear of the decoder.

Large space dedicated to wiring

Complementary accessories



TACT BADGE

Compatible with: TACT CARD

				
TACT-BADGE	GTACTCRDN0B00	BADGE for TACT CARD	10	0,06 Kg



TACT TOKEN

Compatible with: TACT CARD

				
TACT-TOKEN	GTACTTKNN0B00	TOKEN for TACT CARD	10	0,06 Kg

